

Inkjet printer for  
industrial product marking  
with heavy pigmented inks

# CS 407 Data Sheet

## Contrast & Speed



Excellent contrast on all product colors

**Inkjet printer**  
for heavy pigmented inks



CS Series Contrast & Speed

**WIEDENBACH**  
INDIVIDUAL INKJET MARKING SOLUTIONS

# CS 407 Specification

## Print System

- > Air-driven diaphragm and pigment dispersal system for printing dye-based, light and heavy pigmented inks (incl. fast drying, alcohol-based, water-washable inks, etc.).

## Print Functions

- > 1 to 4 lines of text
- > Variety of barcodes (EAN 13, BC 39, EAN 128, Code 128, 2/5i, UPC A, POSTNET)
- > Symbols and logos
- > ANSI and special characters
- > Real time clock and calendar function in multiple formats, up to 4 per buffer
- > Mirror print, character reverse, character inverse, double space, message reverse
- > Standard matrices (5x5, 2x5x5, 3x5x5, 4x5x5, 7x5, 2x7x5, 3x7x5, 11x7, 2x11x7, 15x10, 23x15) Speed Print 5x5 und 7x5
- > Vertical matrices (5x5, 2x5x5, 3x5x5, 4x5x5, 5x7, 2x5x7, 3x5x7, 4x5x7)
- > Adjustable print height of 5 to 23 dots (1 - 12 mm)
- > Adjustable print width
- > Print settings: Stroke multiplication, print delay, print suppression, bi-directional print, free text positioning
- > Up to 4 counters per buffer
- > Printing speed of up to 800 m/min

## Standard Equipment

- > Stainless steel cabinet, with rating IP 54
- > 1/4 VGA TFT colour display (WYSIWYG)
- > Keyboard layout: European, US or Cyrillic
- > User interface in many popular languages
- > Integrated symbol & logo editor
- > All print styles on board: standard, small, quality and high quality
- > Text length displayed in mm/inch
- > 16 MB memory for text, symbols and logos
- > Flashcard for software updates
- > External archiving and data management software
- > Drop frequency/nozzle size: 64 kHz/75 µm or 84 kHz/60 µm
- > Cylindrical automatic printhead allowing any printing position
- > Flexible conduit, standard length: 3 m
- > Printhead holder
- > External positive air pressure
- > Interfaces for RS-232, encoder, printgo, Ethernet (TCP/IP), 3 outputs for status requests (can also be configured as inputs)
- > 2 tanks for ink and make-up (1 Litre, 1,25 Litre)
- > Ink density control with automatic make-up dosage for constant print quality
- > 7 changing buffers included
- > Print head with automatic ink closure system for secure start-stop behaviour

## Operating and environmental conditions

- > Power supply: 100-240 V, 50-60 Hz, 100 W
- > Compressed air: 6 bar, filtered, power 6 l/min
- > Temperature range: +5°C to +35°C
- > Humidity: Up to 90% rH, non-condensing
- > Dimensions in mm HxWxD = 630x418x325
- > Required space in mm HxWxD = 630x700x325
- > Weight: 30.3 kg

## Options

### Hardware

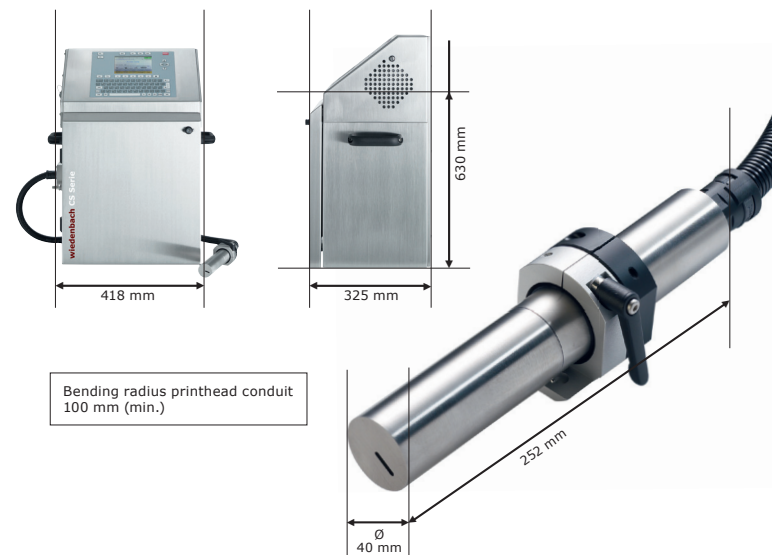
- > Drop frequency/nozzle size: 120/40 kHz/µm
- > Printhead, elbow, 0° or 90° orientation
- > Head conduit, length: 4, 6, 8 m
- > Head cover with lens
- > I/O 16/8 for additional functions
- > Indication light/indication light with buzzer (incl. connection)
- > Connection for indication light
- > Condenser

### Software

- > Changing buffer 15
- > 2D Data Matrix code
- > Customer specific software

## Accessories

- > Please refer to the accessories catalogue for a complete listing of all accessories for CS 407.



Your local Wiedenbach distributor:

Technical data subject to change without prior notice.

**WIEDENBACH**  
INDIVIDUAL INKJET MARKING SOLUTIONS

Wiedenbach Apparatebau GmbH  
Industriepark 312, 78244 Gottmadingen, Germany  
Tel. +49 (0) 7731 79911-0, Fax +49 (0) 7731 79911-90  
infoservice@wiedenbach.com, www.wiedenbach.com

 DOMINO GROUP COMPANY