



KTR 1800

Taping Machine

KABATEC

A KOMAX COMPANY

KTR 1800

Ideal for long wiring segments

High expectations for high voltage requirements: The KTR 1800 is perfectly equipped for processing high voltage (HV) wiring and cable harnesses with large diameters. The machine is based on the technology of KABATEC's KTR 160 unit and offers the option of two different lengths in the linear system. With lengths of 750 mm and optionally 1,500 mm, it is excellently suited for the taping of longer wiring segments and branches. The open winding head allows for simple handling of the branches and fast processing times, with easy insertion and removal of long branches from the front of the machine.

Practical handling

As with the KTR 160 machine, the KTR 1800 has been specially designed for the taping of highly complex cable harnesses. The KTR 1800 delivers perfect performance in the production of harnesses having up to 25 branches. An additional design benefit is its visualization performance. The 15-inch display allows for the visual presentation of the individual taping steps. The 95 gigabyte memory is also ideal for meeting professional standards. Up to 999 lines of program code can be accommodated.

Outstanding flexibility is another characteristic that the KTR 160 and the KTR 1800 have in common. Both machines have individual motors for the feed unit and the winding head that operate separately. The exceedingly short start and stop times at the winding head allow for significant increases in productivity. The linear system can be freely positioned and facilitates individual handling. And the pneumatic gripper with freely movable hooks also contributes to the machine's user friendliness, making for even more efficient production processes.





**OPEN FOR MORE
PERFORMANCE**
THE OPEN WINDING HEAD
MAKES FOR EASIER
HANDLING AND SHORTENS
PRODUCTION TIMES.

▶ Long cable branches can be handled optimally with the open winding head. It's easy and convenient to insert or remove wiring segments.

Ideal for long windings

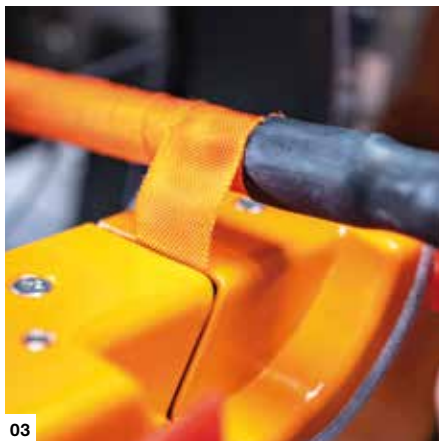
- Whether for motorhomes or transporters: Long principle cabling segments with many branches can be taped especially well with the KTR 1800
- The linear system is 750 or 1,500 mm in length and is thus ready for long distances.
- Up to 25 branches can be handled without problem with the KTR 1800.

Precise and safe

- No damaging of HV cables with an innovative cutting system specially developed by KABATEC for high-voltage applications.
- The high-quality cutting blade is ideal for extremely tough HV tapes.
- Maximum safety in handling: The cutting system is well covered through its integration in the winding table.

Advantages in the production process

- Open winding head is perfect for the flexible processing of longer branches.
- Extra large 15-inch display for the visualization of the individual taping steps.
- Freely positionable linear system.
- Quicker processing times for higher cost effectiveness.



01
Customized machine for the taping of HV wiring segments.

02
Reproducible quality: The linear system in combination with the tape feeding system provides consistent and exact tape lengths.

03
Large diameter, considerable length: The KTR 1800 is ideal for complex cable assemblies of greater dimensions.

04
Simple handling of wiring with the open winding head.

05
Visualization of process steps with the large 15-inch display.

KTR 1800

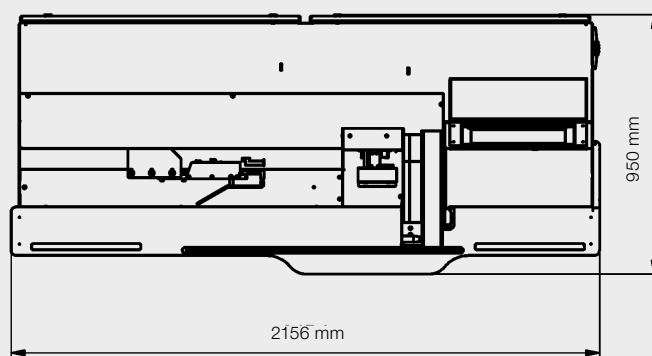
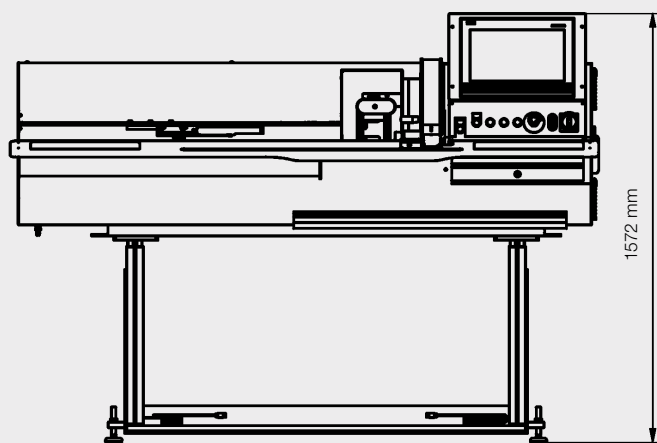
Customer-specific options

KABATEC takes care of individual customer wishes through the development of special applications. Individual options are available for all machines on request. Through close involvement with long-term customers, new innovations and product optimizations are continually being developed.

Convenient and reliable: Barcode scanner

Simply scan the barcode and the right program is automatically loaded. The optional barcode scanner simplifies program selection and effectively reduces production times.





Technical Data - The KTR 1800 at a glance

Application	Taping of long cable harnesses with a multitude of long branches
Tape and cable harness data	
Cable harness diameter	Up to 20 mm (optional: up to 40 mm)
Maximum winding length	20 m per segment
Length deviation per winding step	Max. -2% / +1%
Tape materials	A wide range of automotive and industrial tapes
Tape width	9 - 19 mm (on request up to 25 mm)
Tape core diameter (standard)	1,5" und 3"
Maximum exterior tape roll diameter	Max. 180 mm
Machine data	
Winding head rotation speed	100 - 1000 rotations/min
Feeder type	Combined linear and tape advance
Feed rate	0-45 mm/rotation, stepless adjustment, programmable
Length of linear unit	750 mm (optional: 1500 mm)
Tape end detection	With optical sensor
Electrical connection	3L/N/PE 380 - 480 V AC/50-60Hz (optional: 3P/N/PE 380 - 480 V AC/50-60Hz)
Fuse	16 A
Connected load	3.100 W
Control voltage	24 V DC
Operating pressure	6 bar (0.6 MPa / 87 psi)
Dimensions (W x H x D)	1572 x 2156 x 950 mm (standard version)
Weight	Approx. 550 kg

Innovative products and the highest quality standards have made KABATEC the global market leader for taping and bundling technologies. With headquarters in Burghaun in central Germany, the company manufactures semi and fully automatic machines for applying adhesive and non-adhesive tapes. For its customers – in particular from the automobile industry – KABATEC provides customized, full system solutions for processing cables and wiring of all sorts.

The company's core business involves the development and production of taping and bundling machines as well as the planning and realization of special equipment solutions in close cooperation with customers. Innovations, extensive experience and a sure feeling for global market requirements have resulted in products of outstanding quality that are performing exceptionally on the market.

Founded in 2008, KABATEC has achieved its top global position with remarkable speed. Through the integration of Ondal Tape Processing GmbH, KABATEC has further strengthened its market position. The company now looks back on a total of 40 years of experience in the field of tape processing. Since 2016, KABATEC has belonged to the Swiss company Komax Holding AG which develops and manufactures products on several continents. As a company of the Komax Group, KABATEC makes use of its strong global sales and service network through which Komax customers in more than 60 countries are receiving on-site support

40
YEARS
CUTTING
EDGE



Market segments of Komax

Komax provides outstanding expertise and solutions for a wide range of applications. On the basis of customer requirements, Komax creates added value for total processes and optimizes its customers' profitability. The main markets of Komax are: automotive, aerospace, industrial as well as telecom & datacom. With this broad scope of experience, customers receive expert knowledge for process optimization and gain access to the newest technologies.

Kabatec GmbH & Co. KG
Am Grubener Weg 15
D-36151 Burghaun
Phone +49 6652 79362-0
www.kabatec.com
info.bgh@kabatec.com

KABATEC

A KOMAX COMPANY